

# TrafficX

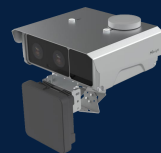
## DualVision TrafficX Radar Camera



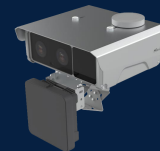
### KEY FEATURES

- ▶ **Dual-camera Integrated Evidence Collection**  
(By utilizing **Vehicle Close-up ANPR**, in combination with **Surveillance Overview**, the capture and analysis of vehicle targets and behavior enable the acquisition of reliable synchronized time and scene evidence.)
- ▶ **320km/h High Recognizable Speed** (Exceling at capturing detailed fast-paced dynamic scenes, covering 2-3 lanes and distance up to 50m.)
- ▶ **Advanced Radar Technology**  
(Powered by high-speed radar and AI for real-time speed and flow monitoring.)
- ▶ **24/7 High Accuracy** (Achieving 99% capture rate and 98% license plate recognition rate even in low-light environments.)
- ▶ **Edge AI-based ANPR** (Incorporating advanced image processing technology capable of accurately recognizing both reflective and non-reflective license plates, it swiftly and precisely identifies license plate numbers and colors, as well as captures vehicles without license plates. Additionally, it collects relevant attributes such as vehicle color, type, and brand information.)
- ▶ **Professional violation recognition, reliable enforcement assistant.**
- ▶ **Easy Installation** (Embedded 4G module for easy network connection and flexible angle adjustment design.)
- ▶ **Compatibility** (Support CGI/APIs and TCP/HTTP/MQTT protocols for easy integration.)





Model		TS5510-GVH (5MP*2)
Camera	Name	DualVision TrafficX Radar Camera
	Image Sensor	Color, 2/3" Global Shutter
	Min. Illumination	Color: 0.001 Lux@(F1.4, AGC ON)
	Shutter Time	30 us- 40000 us
	Day/Night Mode	Day/Night/Auto
	Supplement Light	IR
IR Distance		60m
IR Wave Length		850nm (Default), 740nm (Optional)
Road Traffic Management	Max. ANPR Range	Up to 50m
	Max. Vehicle Speed	320 km/h
	Coverage	Recommended for 2~3 lanes
	Capture Rate	Up to 99%
	Recognition Accuracy	Up to 98%
	Country Region Supported	More than 74 countries and regions
	Attributes Identification	Plate Color, Vehicle Type, Vehicle Color, Vehicle Brand, No-plate Vehicle Capture, Vehicle Direction Detection, Speed Detection
	Violation Management	Reverse Driving, Speed Monitoring, Vehicle Attributes Event Detection
	White/Black List	Up to 20,000 records inside the camera
	LPR Smart Search	Support
Interface	Ethernet	1*RJ45 10M/100M/1000M Ethernet Port
	RS485	Support
	Input	4 * Optoisolated Input
	Output	2 * Strobe Output 1 * Relay Output
Lens	Lens	15-50mm, Motorized zoom and focus
	Mount	Custom mount
	Field of View	horizontal FOV 41.4° to 10.3°, vertical FOV 26.8° to 8.42°, diagonal FOV 32° to 13.3°



<b>Video</b>	Max. Resolution	2464x2056
	Max. FPS	30fps
	Video Compression	H.265/H.264/MJPEG
	Video Bit Rate	16Kbps~16Mbps (CBR/VBR Adjustable)
	Image Setting	Brightness/Contrast/Saturation
	Privacy Masking	Up to 24 Areas (per Sensor)
<b>Radar</b>	Working Frequency	24GHz
	Capture Rate	>99% (Traffic jam >95%)
	Lane Coverage	2~3 Lanes (Recognition $\geq$ 95% individually)
	Tracking Target	Up to 32
	Speed Detection Accuracy	$\pm$ 2km/h
	Housing	Up to IP67-rated for weather-resistant performance
	Installation Height	4~10m
<b>Wireless Network (Optional)</b>	Cellular	4G LTE NA: B2/B4/B5/B12/B13/B25/B26 EU: B1/B3/B7/B8/B20/B28 AU: B1/B2/B3/B4/B5/B7/B8/B28/B66
	SIM Card	Nano SIM
<b>System</b>	System Compatibility	API, HTTP, TCP, MQTT, ONVIF Profile G & S & T
	Storage	Support microSD/SDHC/SDXC Card Local Storage, up to 1TB
<b>General</b>	GPS	Built-in High-accuracy GPS Module
	Working Temperature	-40°C ~ 70°C
	Working Humidity	0~95% (Non-condensing)
	Power Consumption	Min.: 14.4W Max.: 21.2W
	Weather Proof	Up to IP67-rated for Weather-resistant Performance
	Power Supply	24 V DC/AC
	Weight	5.6Kg 8.4Kg (with Package)
	Dimensions	282.7mmx295mmx276.5mm (with Radar Unit)
	Warranty	3 Years

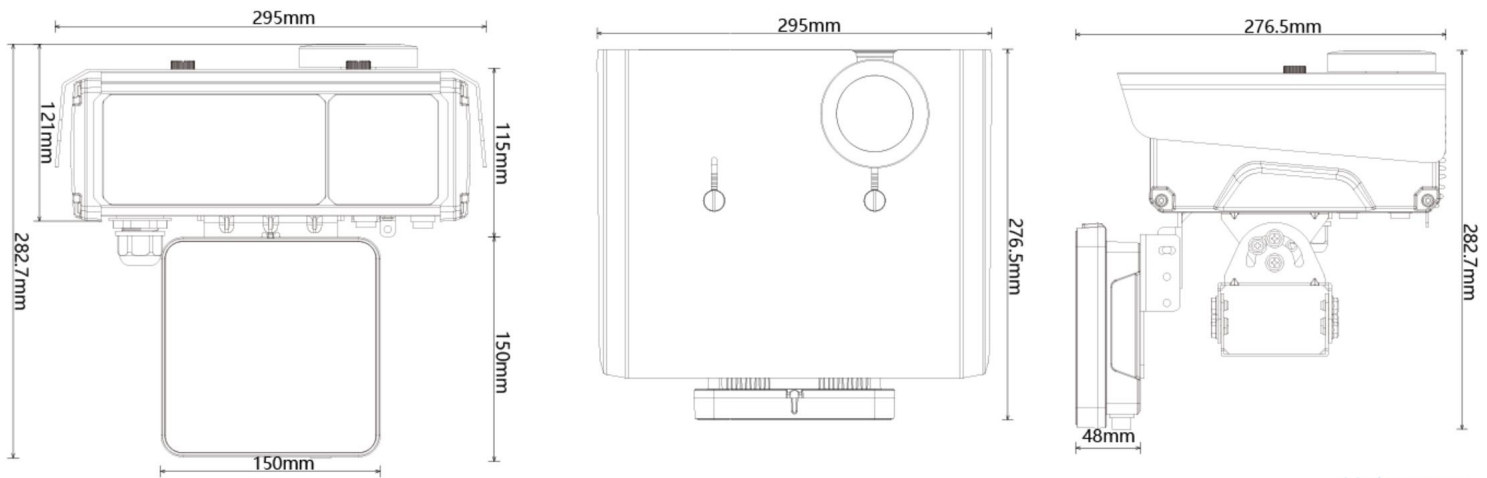
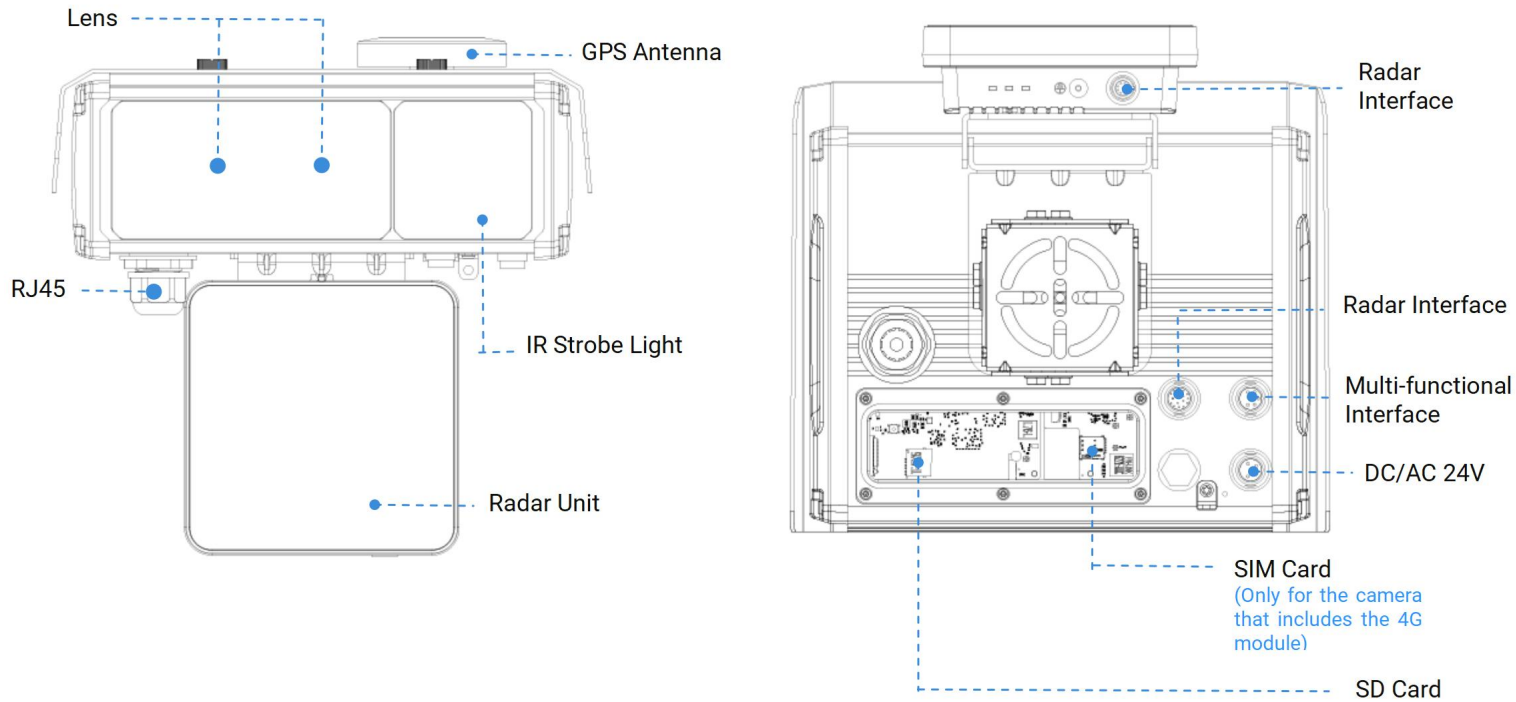


<b>Certifications</b>	EMC	CE-EMC (EN 55032, EN 55035), FCC (PART 15B)
	Safety	CE-LVD (EN IEC 62368-1)
	Environment	CE-ROHS (Directive (EU) 2015/863 amending 2011/65/EU)

V 1.0



## Structure Diagrams



Units: mm

## Accessories Support

A91-N Pedestal Mount

(Default)

Weight: 540g

Dimension: 80\*80\*104.5mm



A92-N Wall Mount

Weight: 1800g

Dimension:

140\*200\*279mm



A02 V2 Pole Mount

Weight: 1000g

Dimensions:

180\*136\*46mm

